



ISO 9001:2015 Certified Company



VENTILATION LOUVRES

FZ, AFZV, AFZM, RZ, ARZ, PZ, ZP

KAD Air Conditioning Est.

P.O. Box 5389, Dubai, UAE. Tel: +971 4 806 7680 Fax: +971 4 806 7688
Email: info@kadairconditioning.com Web: www.kadairconditioning.com

TABLE OF CONTENTS

Ventilation louvre FZ and AFZV.....	01
Ventilation louvre AFZM and RZ.....	02
Ventilation louvre RZO and ARZ.....	03
Ventilation louvre PZ.....	04
Ventilation louvre ZP.....	05
Selection diagrams.....	06
Ordering key.....	07

Definition of symbols:

V [m ³ /h]	- Air flow	v_h [m/s]	- Average core velocity at distance h (m) from a diffuser
V_n [m ³ /h]	- Nominal air flow	Δp [Pa]	- Total pressure drop
V_{uk} [m ³ /h]	- Total air volume in motion	t_p [°C]	- Air temperature in a room
h [m]	- Distance from the ceiling to the occupied zone	t_z [°C]	- Supply air temperature
H [m]	- Room height	t_m [°C]	- Core air temperature
A, B [m]	- Distance between diffusers	Δt_z^* [°C]	- $(t_z - t_p)$
x [m]	- Distance from wall	Δt_L [°C]	- $(t_m - t_p)$
L [m]	- Throw distance ($x+h$)	i	- Induction V_{uk}/V
A_{ef} [m ²]	- Effective discharge area	L_{WA} [dB(A)]	- Sound power level
v_{ef} [m/s]	- Effective jet velocity		
v_L [m/s]	- Average core velocity at distance L (m) from a diffuser		
v_{Lmax} [m/s]	- Maximum core velocity at distance L (m) from a diffuser		

FZ



AFZV



FZ | AFZV

- FZ - made out of galvanized steel sheet
- AFZV - made out of anodized aluminium sheet
- Galvanized steel mesh on the back side
- Fixing with screws

Options:

- Installation subframe (UR)
- RAL...

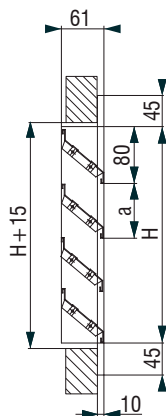
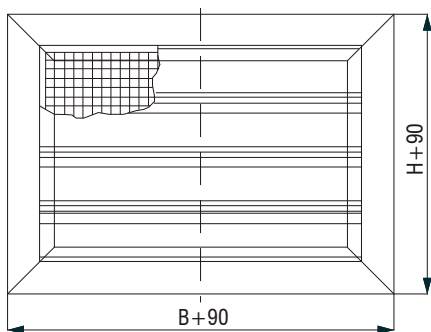
* Holes for screws are not drilled

Standard dimensions FZ, AFZV*

B	385 - 1885 mm, in increments 200mm
H	300 - 1800 mm, in increments 150mm

*all combinations B x H are possible

Free cross-section approx. 60 % of B x H



Dimension B > 1885 mm or H > 1800 mm

$B = 2B1 + 90; H = 2H1 + 90$

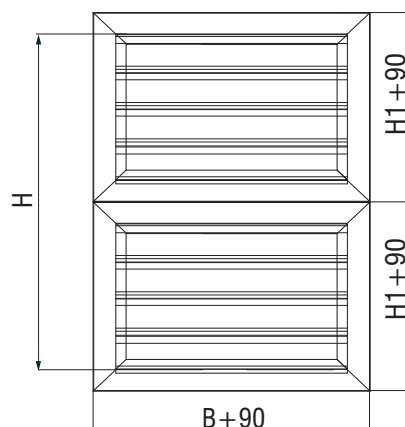
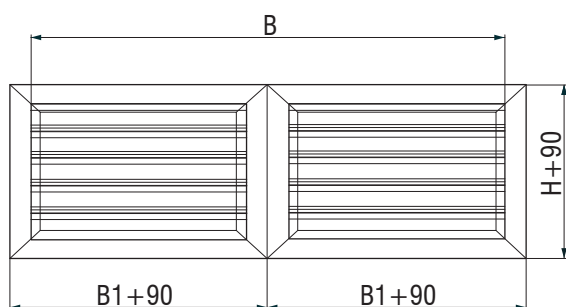
Example :

$B = 1785 \text{ mm}$

$H = 3400 \text{ mm}$

$H = 2 H1 + 90$

$H1 = (H - 90)/2 = (3400 - 90)/2 = 1655$



AFZM

- Made out of anodized aluminium profiles
- Galvanized steel mesh on the back side
- Fixing with screws

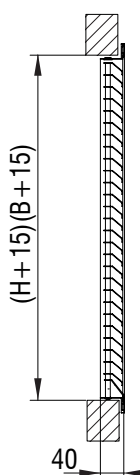
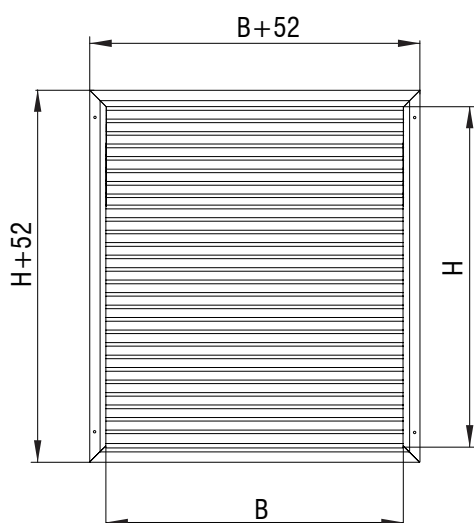
Options:

- Installation subframe (UR)
- RAL...

Standard dimensions AFZM*

B	297 - 1197 mm, in increments 100mm
H	197 - 697 mm, in increments 100mm

*all combinations B x H are possible



Free cross-section approx. 50 % of B x H



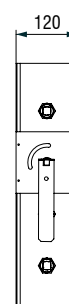
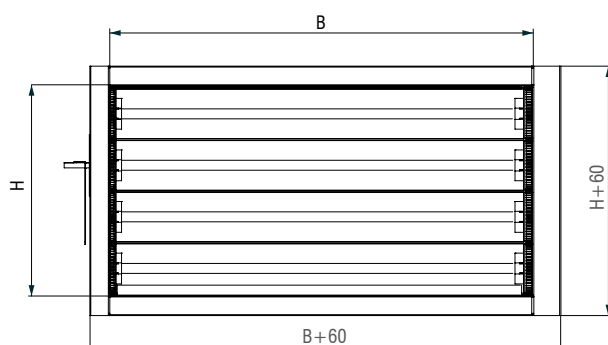
RZ12

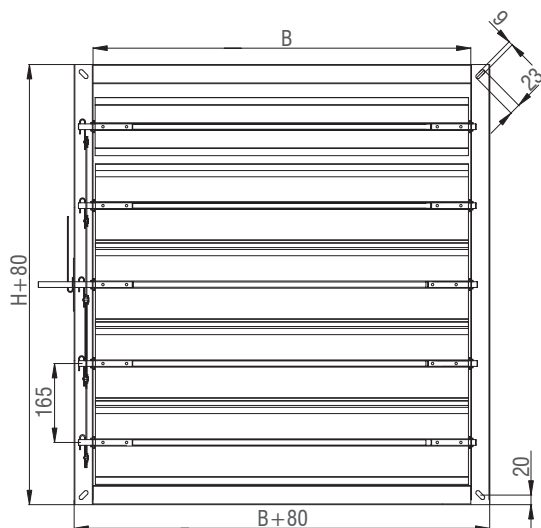
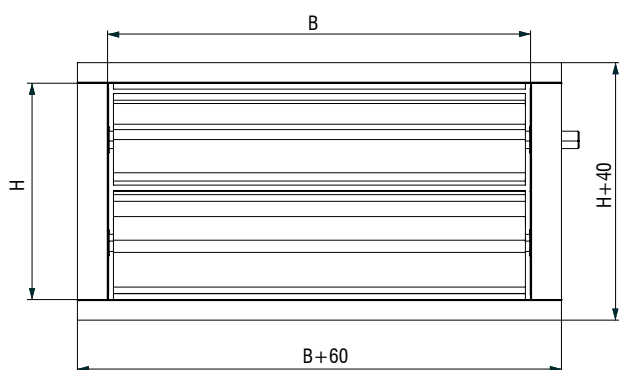
- RZ - made out of galvanized steel sheet, gears and bearings made of ABS.
- Opposed damper blade operation
- $\Delta p_{max} = 600 \text{ Pa}$; $t_{max} = 70^\circ\text{C}$

Standard dimensions RZ*

B	200 - 1400 mm, in increments 100mm
H	215 - 1015 mm, in increments 100mm

*all combinations B x H are possible





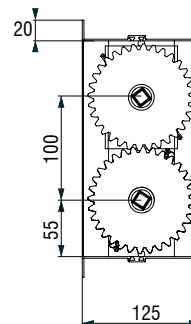
ARZ

- Made out of anodized aluminium profiles, gears and bearings made of ABS.
- Opposed damper blade operation
- Blade tip seals, made of specially profiled rubber provides excellent sealing characteristics
- $\Delta p_{\max} = 600 \text{ Pa}$; $t_{\max} = 70^\circ\text{C}$

Standard dimensions ARZ*

B	400 - 2400 mm, in increments 200mm
H	210 - 1510 mm, in increments 100mm

*all combinations B x H are possible



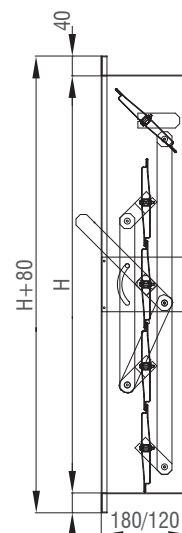
RZO

- Reinforced regulation louvre
- Made out of steel sheet profiles, reinforced damper blades out of steel profiles, brass bearings
- Frame width RZ012 - 120 mm
RZ018 - 180 mm
- Counter-rotating damper blades

Standard dimensions RZ*

B	400 - 2000 mm, in increments 200mm
H	345 - 1995 mm, in increments 195mm

*all combinations B x H are possible



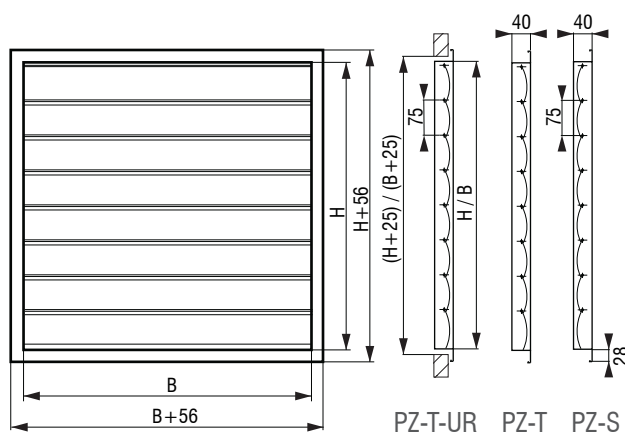
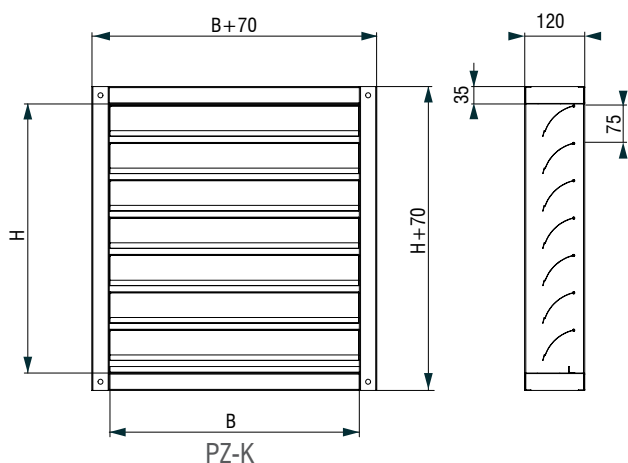


PZ

- Frame made of anodized aluminium profiles, blades made from anodized aluminium sheet.
- Duct version - frame made of galvanized steel sheet
- Wall or duct installation with screws

Options

- Overpressure (Supply)
- Underpressure (Exhaust)
- Duct type
- Discharge with square-to-cylindrical transition section
- Installation subframe



Standard dimensions PZ-T, PZ-S, PZ-K*

B	200 - 1600 mm, in increments 200mm
H	240 - 1590 mm, in increments 75mm

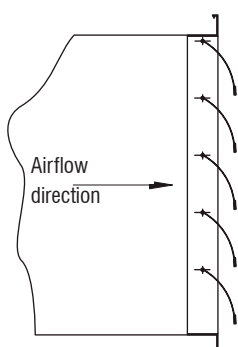
*all combinations B x H are possible

Standard dimensions PZ-T/O*

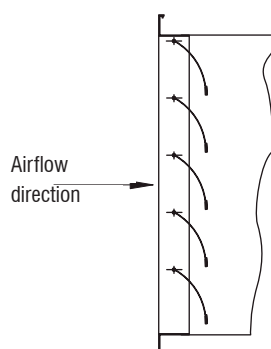
B	330 - 730 mm, in increments 50mm
∅D	300 - 700 mm, in increments 50mm

*all combinations B x H are possible

OVERPRESSURE



UNDERPRESSURE





ZP

- Made of galvanized steel sheet
- Installed directly into the wall opening by anchor springs at the installation frame

Application

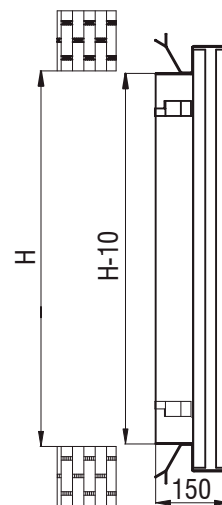
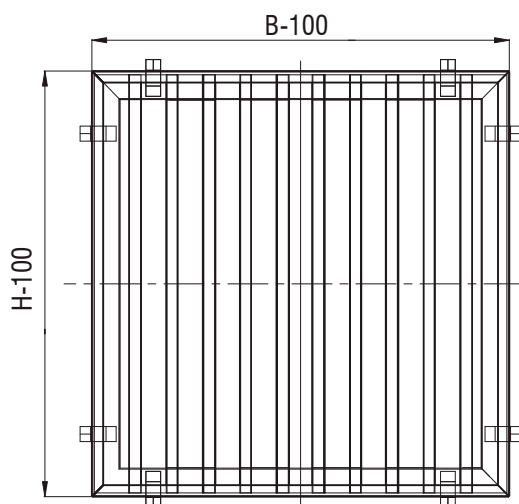
- Separation of sand from air stream
- Correct mounting position of the sand-trap louvre is important
- Average efficiencies obtained by tests 80% particles 20 - 50 μm , or 50% particles 1 - 70 μm .
-

Options

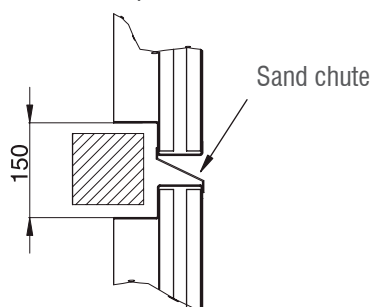
- RAL...

Standard dimensions ZP*	
B	300 - 2250 mm, in increments 150mm
H	300 - 2250 mm, in increments 150mm

*all combinations B x H are possible

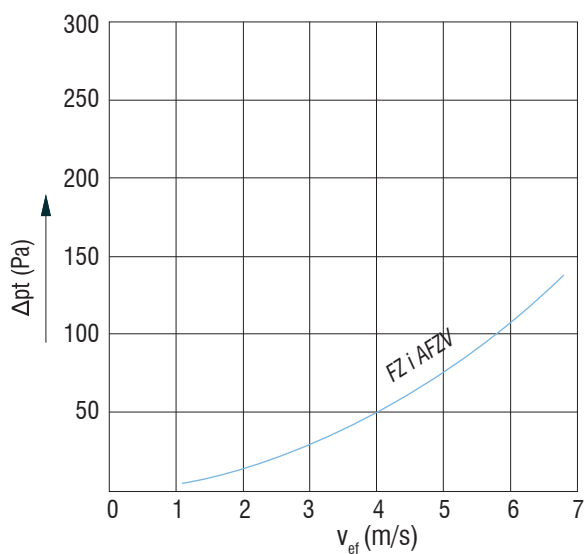


Vertical connection of two sand trap louvres

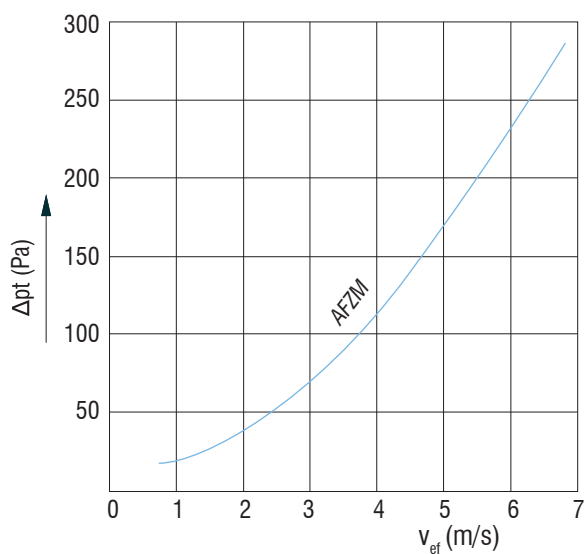


SELECTION DIAGRAMS

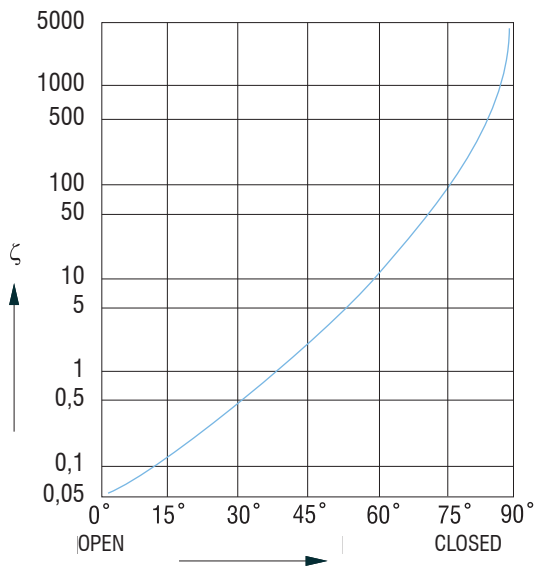
Pressure drop diagram - FZ



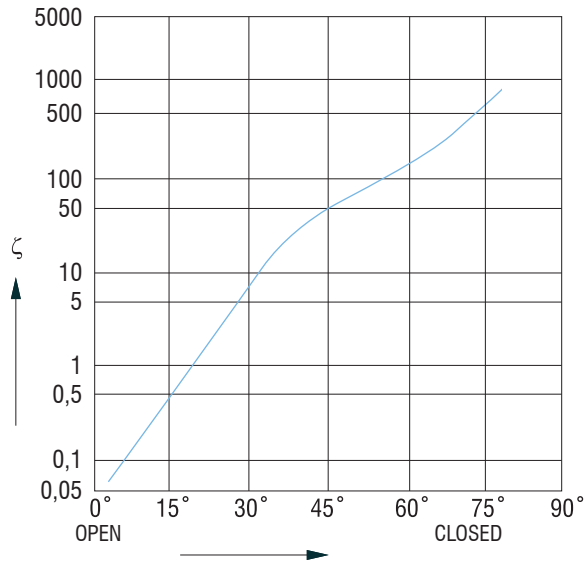
Pressure drop diagram - AFZM, AFZV



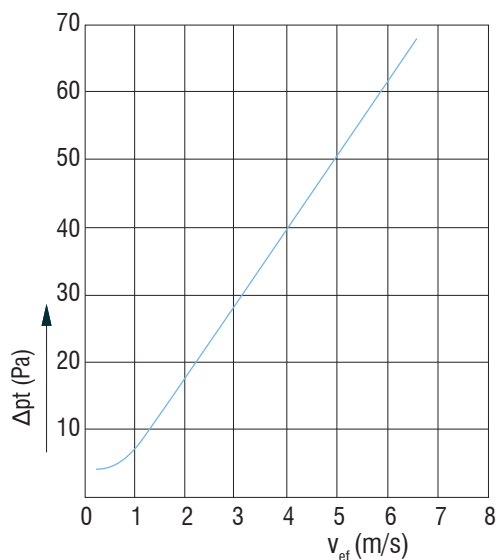
Flow resistance diagram - FZ



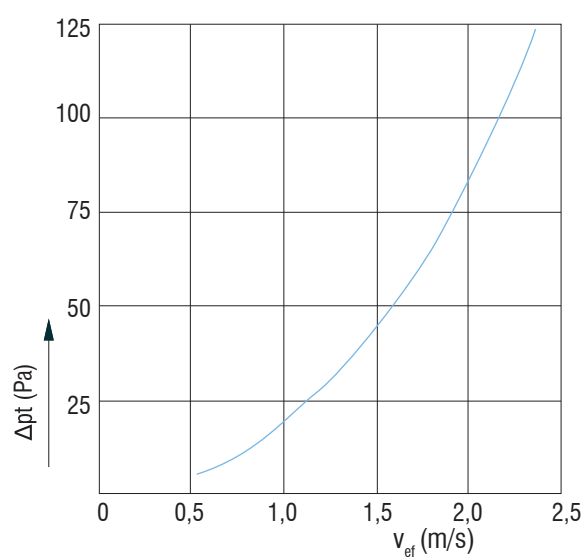
Flow resistance diagram - ARZ



Pressure drop diagram - PZ



Flow resistance diagram - ZP



ORDERING KEY

Louvre type **AFZM - 1785X1500 - UR - M230 - OZ**

FZ, AFZV, AFZM, RZ12, RZO, ARZ, PZ-T, PZ-S, PZ-K, PZ-T/O, ZP

Dimensions

Installation subframe

Drive (RZ, ARZ)

- **R**, manual
- **M 24**, motor actuator 24 V
- **M 230**, motor actuator 230 V

Regulation (RZ, ARZ)

- **OZ** (two positions)
- **K** (continuous)
- **F** (return spring)

* Screws are not delivered

CONTACT US



KAD Air Conditioning Est.

P.O. Box 5389, Dubai, UAE. Tel: +971 4 806 7680 Fax: +971 4 806 7688

Email: info@kadairconditioning.com Web: www.kadairconditioning.com