

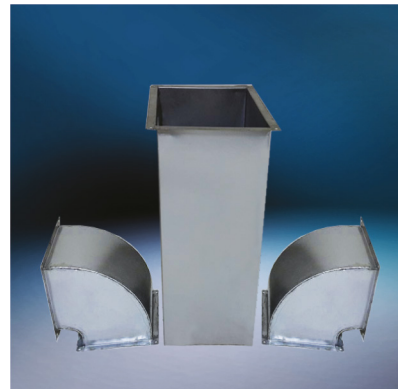
Galvanized Iron (GI) Ducts



Mild Steel (MS) Ducts



Stainless Steel (SS) Ducts



Aluminum (AL) Ducts

AIR DUCTS

Galvanized Iron (GI) Ducts, Mild Steel (MS) Ducts
Stainless Steel (SS) Ducts, Aluminum (AL) Ducts

TABLE OF CONTENTS

Air Ducts - Galvanized Iron Duct (GI Duct), Mild Steel Duct (MS Duct), Stainless Steel Duct (SS Duct)	01
Air Ducts - Aluminum Duct (AL Duct), Duct Specifications and Standards	02

Air Ducts introduction

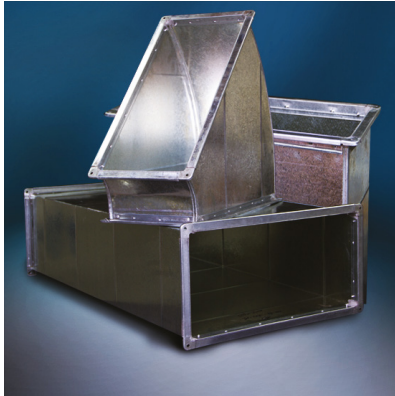
At the company's primary manufacturing facility in Dubai Investment Park in Jebel Ali, ducts are manufactured to meet stringent HVAC and Industrial specifications and standards such as; DW144/SMACNA/ASHRAE.

Generally there are four kinds of ducts available;

- 01 - Galvanized Iron Duct (GI Duct)
- 02 - Mild Steel Duct (MS Duct)
- 03 - Stainless Steel Duct (SS Duct)
- 04 - Aluminum Duct (AL Duct)

The qualities of the ducts are illustrated in the following points;

- All ducts are tailored to customer's requirements.
- Ducts are available in various grades and thicknesses.
- All duct pieces have identification tags to ensure correct and quick installation at site.



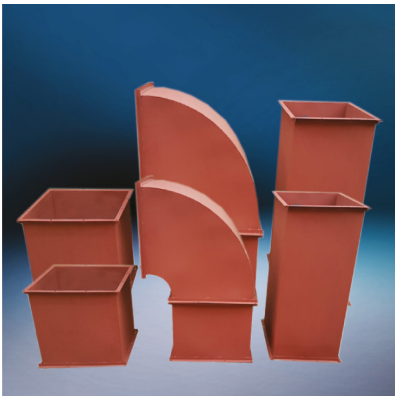
Galvanized Iron (GI) Ducts

Galvanized Iron (GI) Ducts

Galvanized Iron (GI) Ducts are manufactured at our State-of-the-art factory as per customer requirements. All the accessories such as fittings, attachments, components, and other goods are manufactured from the finest grade of material and cutting edge technology. Our quality controllers check each and every detail on well defined quality parameters. Competitively priced, if need to be, the offered range of ducting is also facilitated with sound proofing and high degree insulation.

Features:

- Hot-dipped galvanized steel sheets of lock-forming quality are used for the manufacturing of standard ducts
- In order to re-inforce, all straight ducts have beading all along at a distance of 300 mm between them.



Mild Steel (MS) Ducts

Mild Steel (MS) Ducts

KAD's mild steel ducts (MS Ducts) are fabricated from hot rolled or cold rolled black steel sheets with fully welded construction to achieve leak proofing.

MS ducting is made from the high quality mild steel which contains 0.16-0.29% carbon. This composition ensures that the material is neither ductile nor brittle.

MS ducts are mainly used for the kitchen exhaust because of its inherently fire resistant characteristics. The fire resistance characteristics of MS ducts can be further enhanced by Fire Rated Spray Coat or painted with multiple coats of Red Oxide along with Rock wool insulation conforming to NFPA 96 Standards.



Stainless Steel (SS) Ducts

Stainless Steel (SS) Ducts

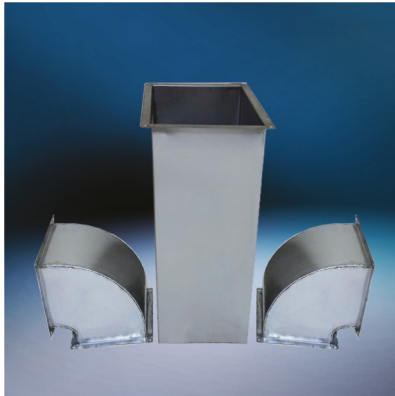
KAD's SS ducts are fabricated out from prime SS sheets of 316 / 304 grades with fully welded longitudinal and transverse joints.

KAD is experienced in manufacturing round as well as rectangular stainless steel ducts. Dedicated team of engineers and technicians are involved in manufacturing process. Stainless steel Ducts are manufactured as per NFPA, BS and ASHRE standards.

Stainless Steel ducts are mainly used for Kitchen exhaust in exposed to view areas and in the areas where Hygiene is the top priority and in highly corrosive environments. Stainless Steel ducts have higher strength, rigidity and best finish in comparison with GI ducts. Its appearance though is much sleeker than the one in an aluminum duct it stands way out for its corrosion resistant characteristic.

For SS Ducts stainless steel sheets are available in two qualities i.e. Grade 316 & Grade 304.

Aluminum (AL) Ducts



Aluminum (AL) Ducts

KAD is experienced in manufacturing aluminum round as well as rectangular ducts. Material is as specified in ASTM B209 , BS.EN485 , BS.EN515 , BS.EN573 depending on the exposed environment.

KAD's Aluminum ducts are fabricated from aluminum sheets of AA1100 / Equal grade of sheets with Hemmed 'S' & Drive 'C' cleats or FL flanged type transverse joints.

Plain type (Reflector finish) is also widely used as air ducts in areas such as swimming pool, clean rooms of sensitive/industrial films etc.

Duct Specifications and Standards

- SMACNA Standard for Low Pressure - 500pa.

SMACNA Standard for Low Pressure - 500 Pa +ve / - ve - Specification

Duct Size Larger Side (mm)	Sheet Thickness(mm)	Transverse Joint	Reinforcement Bracing
0 - 450 mm	0.55 mm	S & C Cleats	NIL
451 - 750 mm	0.55 mm	20mm Slide on flange with corner & Cleats	NIL
751 - 1000 mm	0.70 mm	30mm Slide on flange with corner & Cleats	30mm Slide on flange with corner @600mm centre
1001 - 1200 mm	0.85 mm	30mm Slide on flange with corner & Cleats	30mm Slide on flange with corner @600mm centre
1201 - 2100 mm	1.00 mm	40mm Slide on flange with corner & Cleats	40mm Slide on flange with corner @600mm centre
2101 - 2400 mm	1.20 mm	40mm Slide on flange with corner & Cleats	40 x 40 x 4mm MS angle @600mm Centre

Note:

- 1 - Ducts are stiffened by beading at every 300mm. pitch.
- 2 - Galvanized Iron (GI) sheet thickness and type of transverse joints vary based on project specifications and customer requirement.

Duct Specifications and Standards

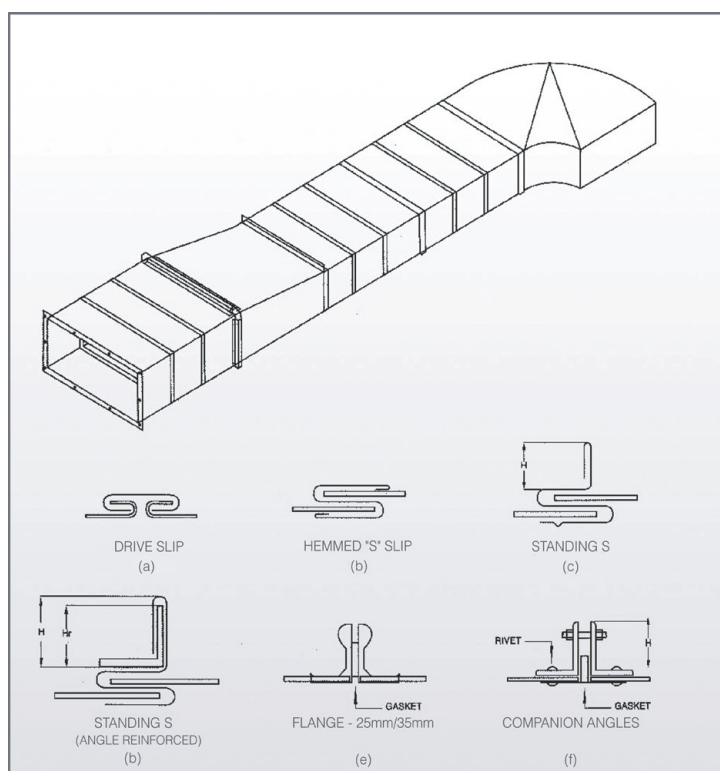
- DWW-144 Standard for Low Pressure - 500pa.

DWW - 144 Standard for Low Pressure - 500pa - Specification			
Duct Size Larger Side (mm)	Sheet Thickness (mm)	Transverse Joint	Reinforcement Bracing
0 - 400 mm	0.60 mm	S & C Cleats	NIL
401 - 800 mm	0.80 mm	20mm Slide on flange with corner & Cleats	NIL
801 - 1000 mm	0.80 mm	30mm Slide on flange with corner & Cleats	NIL
1001 - 1600 mm	1.00 mm	40mm Slide on flange with corner & Cleats	40mm Slide on flange with corner
1601 - 2000 mm	1.00 mm	40mm Slide on flange with corner & Cleats	40 x 40 x 4mm MS angle @600mm Centre
2001 - 2500 mm	1.00 mm	40x4mm Companion angle	40 x 40 x 4mm MS angle @600mm Centre
Above 2501 mm	1.20 mm	50x4mm Companion angle	50 x 50 x 4mm MS angle @600mm Centre

Note:

1 - Ducts are stiffened by beading at every 300mm. pitch.

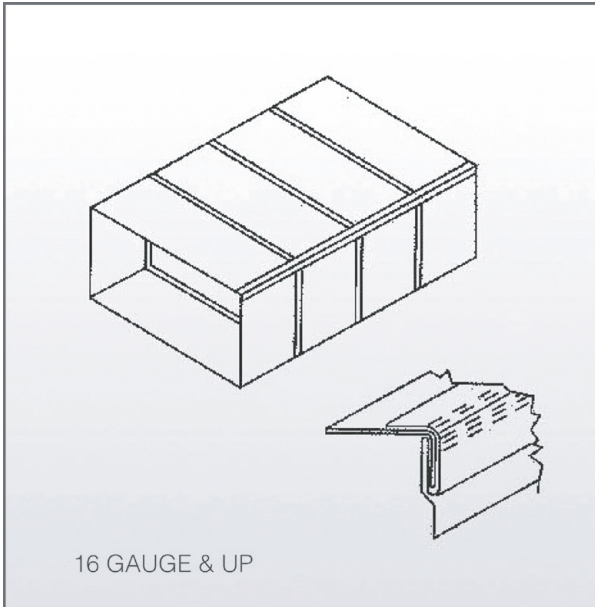
2 - Galvanized Iron (GI) sheet thickness and type of transverse joints vary based on project specifications and customer requirement.



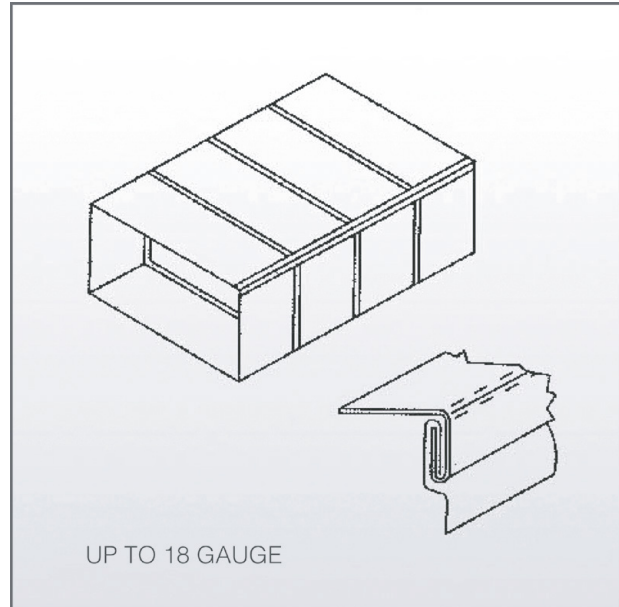
Rectangular Duct

- Transverse Joints

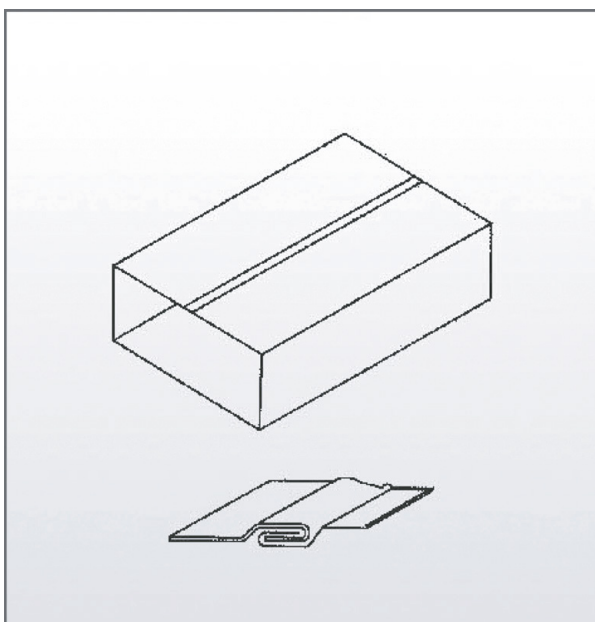
Pittsburgh Lock



Double Corner Seam



Pittsburgh Lock



Double Corner Seam

